

DC HIGH VOLTAGE EV RELAY

EVD500



PERFORMANCE

ITEM	PARAMETER	
Contact Arrangement	SPST-NO	
Auxiliary Contact	SPST-NO(Optional)	
	MIN Load: 8Vdc 100mA ; Contact Resistance: ≤100mΩ	
Voltage Rating	12-200Vdc	12-750Vdc 12-1000Vdc 12-1500Vdc
Current Rating	1-500A	
Current Endurance	500A Cont. ; 550A 10min. ; 600A 180sec. ; 700A 30sec.	
Break Current, Max (only 1 time)	2500A 320Vdc	
Contact Resistance (Initial)	≤1mΩ (at 500A)	
Operate Time (at 20°C)	40ms Max.	
Bounce Time (at 20°C)	5ms Max.	
Release Time (at 20°C)	20ms Max.	
Mechanical Life (0.5s:0.5s)	2×10 ⁵ Cycles	
Electrical Life	See graph	
Current-carrying capacity curve	See graph	
Insulation resistance	Initial: 100MΩ 1000Vdc	
	After test: 50MΩ 1000Vdc	
Impulse withstand voltage (initial)	Main contact 1mA/1min.(sea level)	AC 3500Vrms
	Main contact & coil 1mA/1min.(sea level)	AC 2500Vrms AC 3500Vrms
Mechanical performance	Shock	20G peak,11ms 1/2 Sine wave (coil energized)
	Vibration	20G peak,80-2000Hz,Sine wave (coil energized)
	Strength	50G acceleration,half sine wave impulse 6ms, 50 times per axis.
Operating & Storage Condition	Ambient Temperature	-40~+85°C
	Humidity	5~95% RH.
Altitude	≤4000m	
Weight	approx. 990g	
Certification	UL、CE、CCC	

COIL DATA

Coil Type	Nominal voltage (at 20°C)	Pick-up voltage (at 20°C)	Drop-out voltage (at 20°C)	Start-up current	Holding power (at 20°C)	Coil polarity
PWM	12-36Vdc	≤9Vdc	≥6Vdc	3.2A MAX	approx. 3.0W	non-polarized

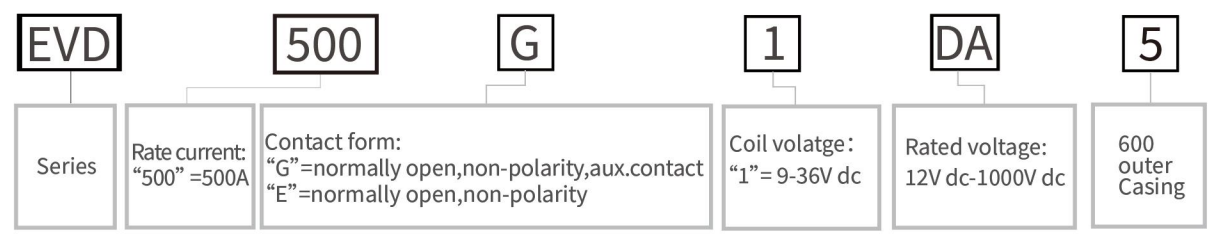


DC HIGH VOLTAGE EV RELAY

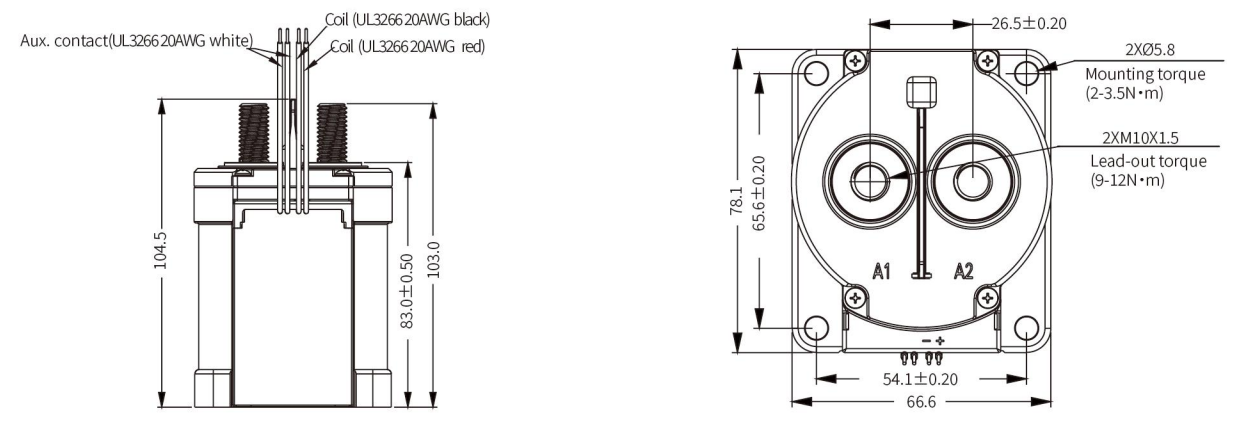
EVD500



PART CODE



DIMENSIONS



Note: 1.fastener:2xM10x8mm; 2.Mounting hardware M 5, torque 2-3.5N·m; 3.Main contact hardware M 10, torque 9-12N·m; 4.Main contact to copper area≥250mm²;

GRAPHS

